



GD18 ■ LCD Swing Arm Wall Mount 14"-26"

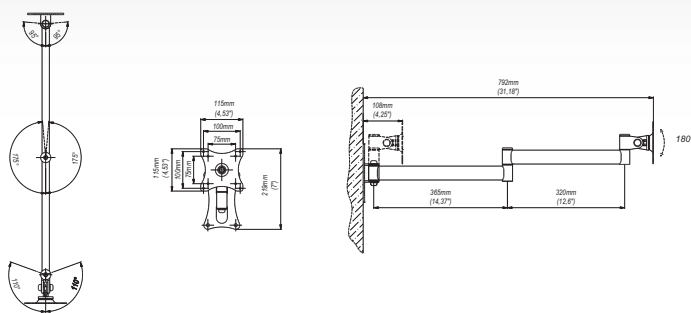


Features

- 1 **SOLID BUILD**
3 mm thick powder-coated metal sheet
- 2 **ADJUSTABLE POSITION**
3 axes of rotation
- 3 **CABLE ORGANISER**



Technical Data



- 75x75 mm
100x100 mm
- 14"-26"
- min. 108 mm
max. 792 mm
- min. 75x75 mm
max. 100x100 mm
- 10 Kg
- 110°/ 110°
- 180°
- 360°

Trade Information

Index	Colour	Package	EAN
GD18c-B	■	■	5908252961528
GD18s-B	■	■	5908252961535
GD18w-B	□	■	5908252963577

Package Dimensions [mm] (H x W x D)	425x250x100
Weight [Kg]	2.5

Accessories

Series GDA

